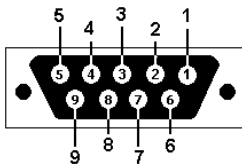
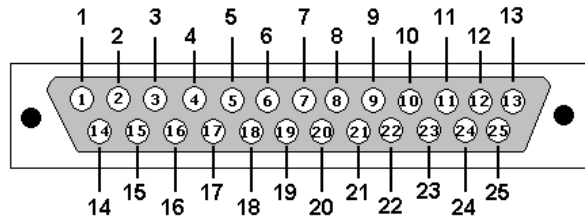


Automation serial connections

Pinout- White Automation Cable Shipped with receiver



DB9: View looking into female connector



DB25M: View looking into male connector

Signal	DB25M		DB9F	Designation
DCD	8	<	1	Carrier Detect
RX	3	<	2	Receive Data
TX	2	>	3	Transmit Data
DTR	20	>	4	Data Terminal Ready
GND	7	-	5	System Ground
DSR	6	<	6	Data Set Ready
RTS	4	>	7	Request to Send
CTS	5	<	8	Clear to Send
RI	22	<	9	Ring Indicator

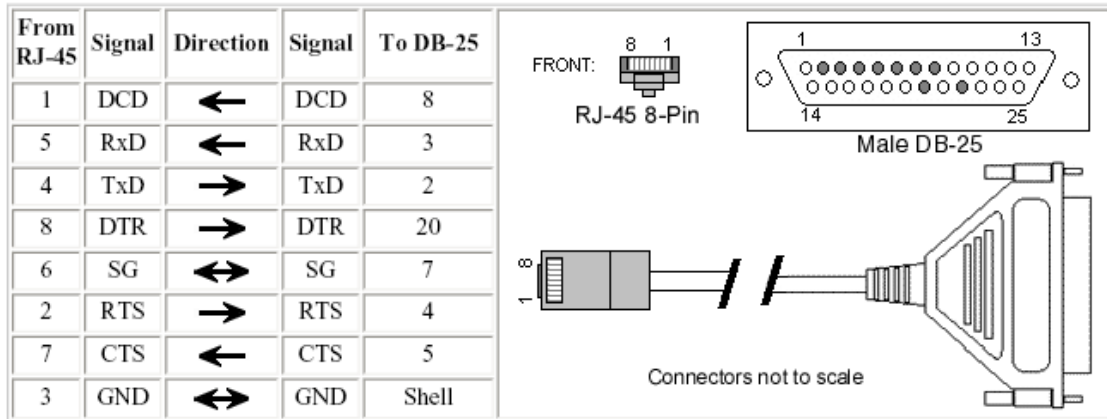
Terminal Server Connections

These are connections that have proven to work for multiple vendors of serial terminal servers such as manufactured by Digi and others.

DB25M to RJ45 Altpin connectors (programmable serial adaptors photo below) can be obtained from multiple sources on the web. These devices contain wires connected to a Female RJ45 end to programmable pins for a DB25M connector. The DB25M connector can plug directly into the Female “Aut” connection on the back of the receiver.



Wire Colors-RJ45 to DB25M for Teldat Receiver		
RJ45	25 pin	RJ45 Wires
Green	2	TX (wire 4)
Red	3	RX (wire 5)
Brown	4	RTS (wire 2)
Orange	5	CTS (wire 7)
Yellow	6	DSR (wire 3)
Black	7	Ground (wire 6)
White	8	DCD (wire 1)
Blue	20	DTR (wire 8)



* Arrows indicate which direction the signal is flowing

(Shell is pin 1)